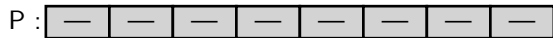
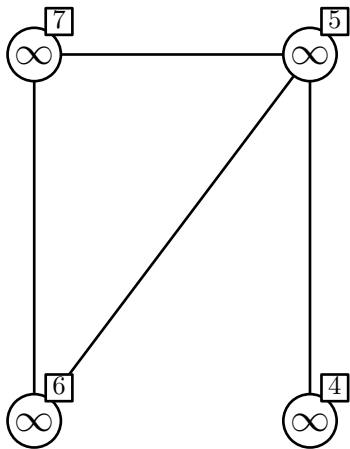
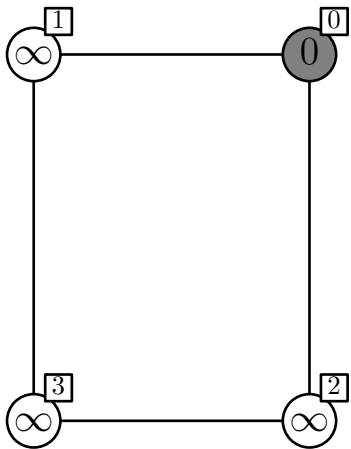


Q :



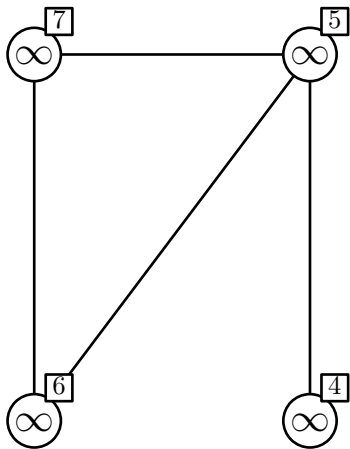
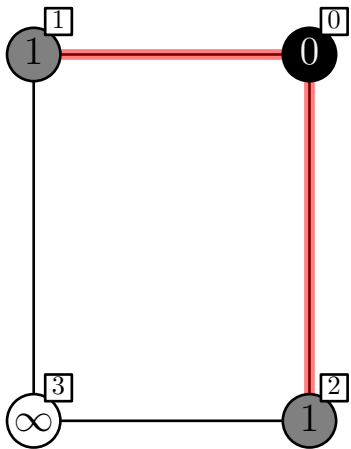
0 1 2 3 4 5 6 7



Q :

P :

0 1 2 3 4 5 6 7



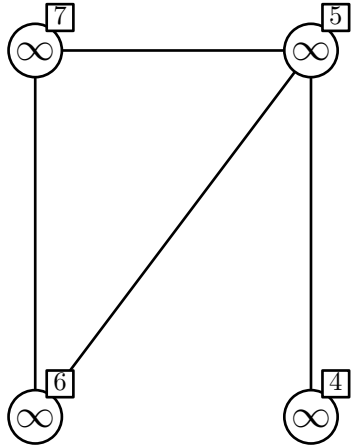
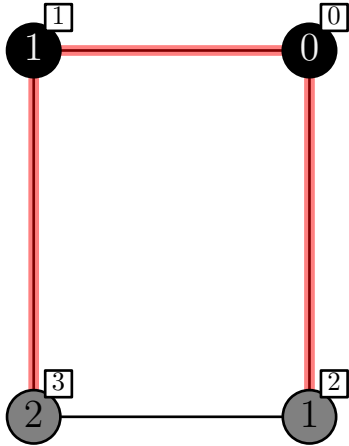
Q :

1	2
---	---

P :

—	0	0	—	—	—	—	—
---	---	---	---	---	---	---	---

0 1 2 3 4 5 6 7



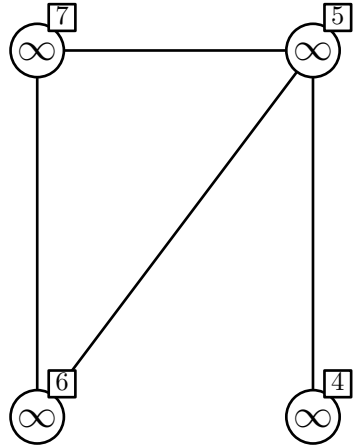
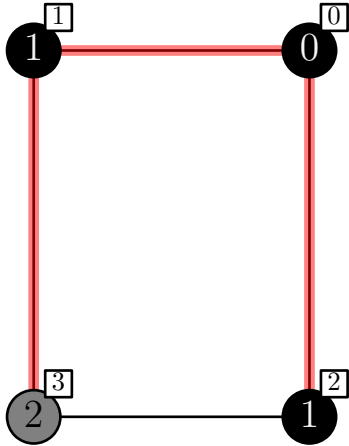
Q :

2	3
---	---

P :

—	0	0	1	—	—	—	—
---	---	---	---	---	---	---	---

0 1 2 3 4 5 6 7



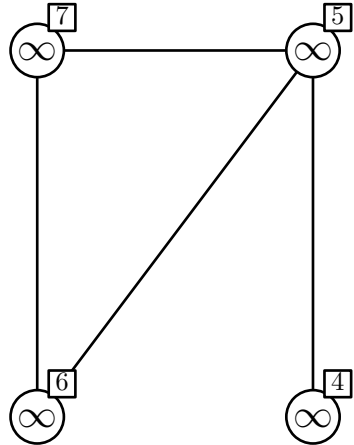
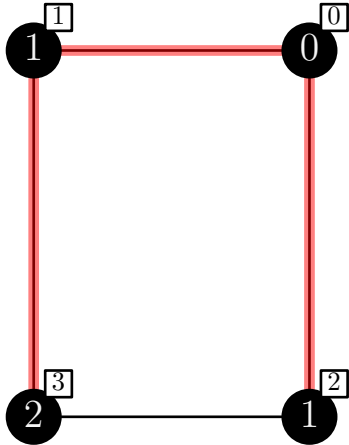
Q :

3

P :

—	0	0	1	—	—	—	—
---	---	---	---	---	---	---	---

0 1 2 3 4 5 6 7

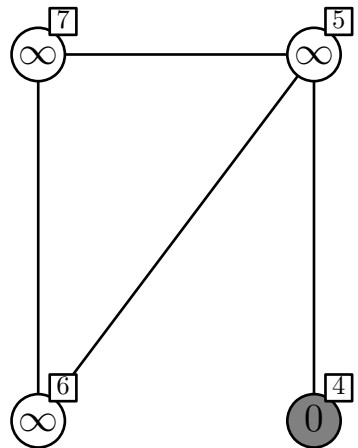
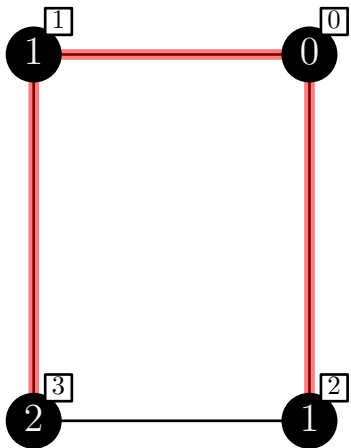


Q :

P :

—	0	0	1	—	—	—	—
---	---	---	---	---	---	---	---

0 1 2 3 4 5 6 7

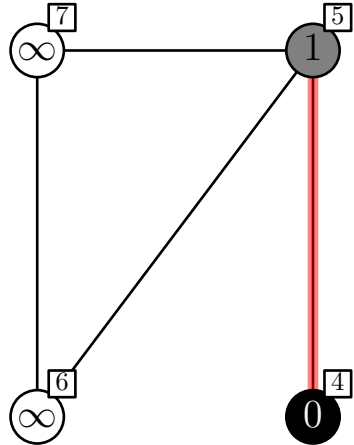
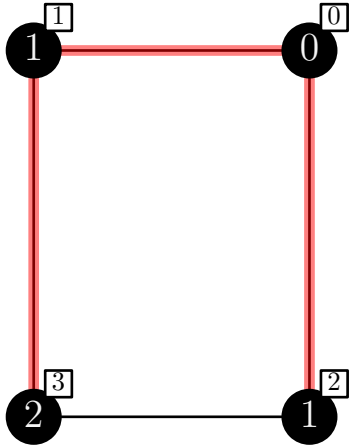


Q :

P :

—	0	0	1	—	—	—	—
---	---	---	---	---	---	---	---

0 1 2 3 4 5 6 7



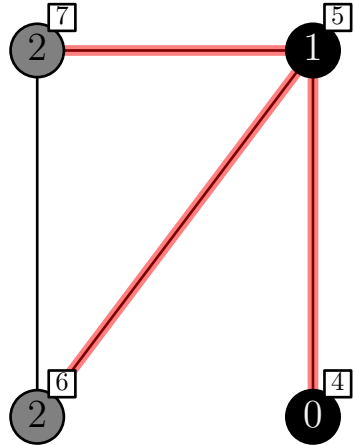
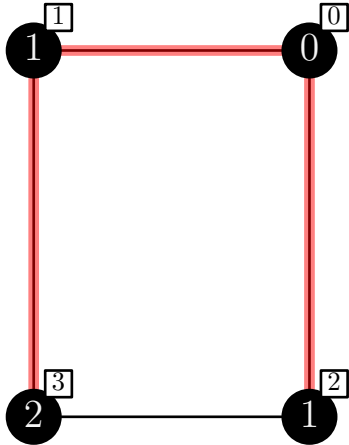
Q :

5

P :

—	0	0	1	—	4	—	—
---	---	---	---	---	---	---	---

0 1 2 3 4 5 6 7



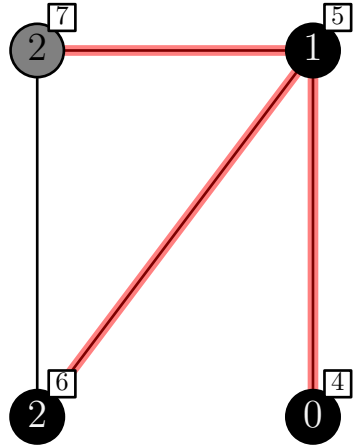
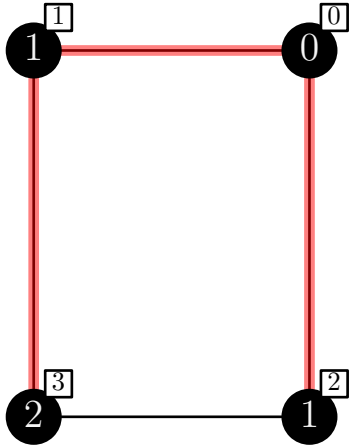
Q :

6	7
---	---

P :

—	0	0	1	—	4	5	5
---	---	---	---	---	---	---	---

0 1 2 3 4 5 6 7



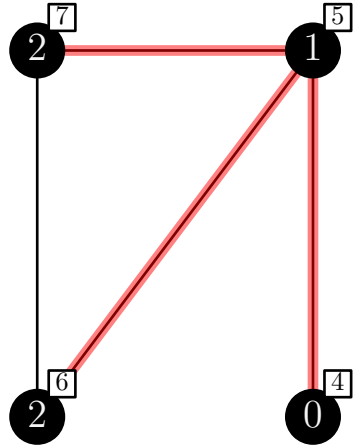
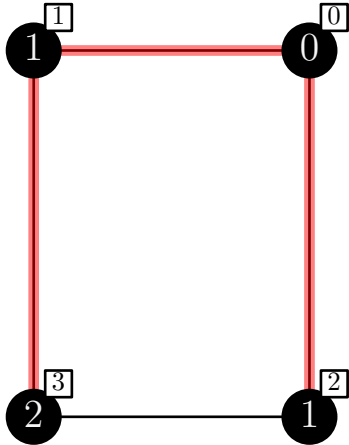
Q :

7

P :

—	0	0	1	—	4	5	5
---	---	---	---	---	---	---	---

0 1 2 3 4 5 6 7

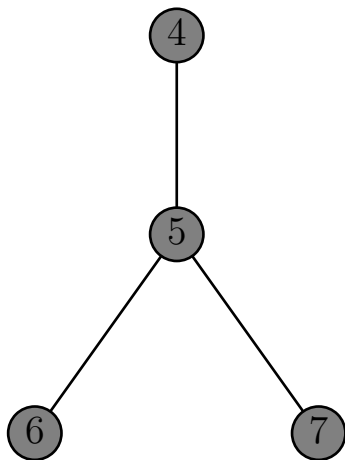
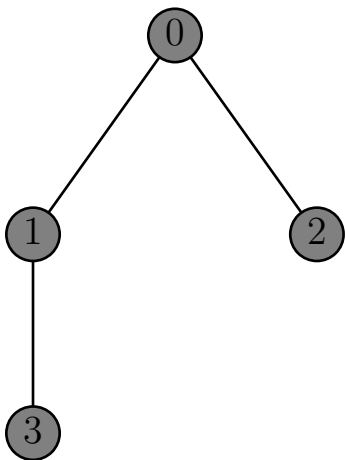


Q :

P :

—	0	0	1	—	4	5	5
---	---	---	---	---	---	---	---

0 1 2 3 4 5 6 7



P:

—	0	0	1	—	4	5	5
0	1	2	3	4	5	6	7