

# Vector Architectures

---

## Intensive Computation

**Annalisa Massini**

2017/2018

# SIMD ARCHITECTURES

---

# Computer Architecture - A Quantitative Approach, Fifth Edition

## Hennessy Patterson

- Chapter 4 - Data-Level Parallelism in Vector, SIMD, and GPU Architectures
  - Section 4.2 - Vector Architecture

# SIMD architectures

- SIMD (single instruction, multiple data) architectures are effective for applications having a significant data-level parallelism (DLP):
  - matrix-oriented computations of scientific computing
  - media oriented image
  - sound processing
- Since a single instruction can launch many data operations, SIMD is potentially more energy efficient than MIMD (multiple instruction multiple data), which needs to fetch and execute one instruction per data operation

# SIMD architectures

- Perhaps the biggest advantage of SIMD versus MIMD is that the **programmer continues to think sequentially** yet achieves parallel speedup by having parallel data operations
- For problems with lots of data parallelism, all SIMD variations share the advantage of being easier for the programmer than classic parallel MIMD programming
- We will consider two variations of SIMD:
  - **vector architectures**
  - **graphics processing units (GPUs)**
- *We do not consider SIMD extension of instruction set, architectures that support multimedia applications*

# SIMD architectures

- **Vector architectures** means essentially **pipelined execution** of many data operations
- *Vector architectures* are easier to understand and to compile to than other SIMD variations, but they were considered too expensive for microprocessors until recently
- Part of that expense was in transistors and part was in the cost of sufficient DRAM bandwidth, given the widespread reliance on caches to meet memory performance demands on conventional microprocessors

# SIMD architectures

## GPUs

- Represent a variation on SIMD offering **higher potential performance** than is found in traditional multicore computers today
- Share features with vector architectures, but they have their own distinguishing characteristics, in part due to the context in which they evolved
- The GPU and its graphics memory is associated to a system processor and system memory, and the architecture is referred to as *heterogeneous*

# VECTOR PROCESSORS: HISTORY

---



# Vector processors

- Development of *vector processors* was in the mid 70s
- In *vector processors*, a **scalar processor** is integrated with a **collection of function units** that operate on vectors of data out of one memory in a **pipelined fashion**
- The ability to operate on vectors anywhere in memory:
  - eliminated the need to map application data structures onto a **rigid interconnection structure**
  - greatly simplified the problem of getting **data aligned** so that local operations could be performed

# Vector processors

- The first vector processor, the **CDC Star-100**, provided vector operations in its instruction set that combined two source vectors from memory and produced a result vector in memory
- The machine only operated at *full speed if the vectors were contiguous* and a large fraction of the execution time was spent simply transposing matrices

# CDC STAR 100

- CDC's approach in the **Star** architecture used what is today known as a *memory-memory architecture*
- This referred to the way the machine gathered data
  - It set up its pipeline to **read from** and **write to** memory directly
  - This allowed the **Star** to use **vectors of any length** making it highly flexible
- **BUT:**
  - the pipeline had to be very long in order to allow it to have enough instructions in flight to make up for the slow memory

# CDC STAR 100

## Other drawbacks

- The machine incurred a high cost when **switching from processing vectors** to performing operations on individual randomly located operands
- The **low scalar performance** of the machine meant that after the switch had taken place and the machine was running scalar instructions, the performance was quite poor

# Cray-1

- A dramatic change in 1976 with the introduction of the **Cray-1**
- The concept of a load-store architecture employed in the CDC architectures is extended to apply to vectors (rediscovered in modern RISC machines)
- Seymour Cray was able to look at the failure of the STAR and learn from it
- He decided that in addition to fast vector processing, his design would also require:
  - **Excellent all-around scalar performance** → when the machine switched modes, it would still provide superior performance
  - Also, the workloads could be dramatically improved in most cases through the **use of registers**

# Cray-1

- **Registers** are significantly more expensive in terms of circuitry, so only a **limited number** could be provided
- Cray's design has less flexibility in terms of vector sizes
  - Instead of reading any sized vector several times as in the STAR, the **Cray-1 reads only a portion of the vector** at a time, but it could then run several operations on that data prior to writing the results back to memory
  - Vectors in memory, of any fixed stride, were transferred to or from contiguous vector registers by vector load and store instructions

# Cray-1

- The vector system of the new design had its own separate **pipeline**
- **Arithmetic** was performed on the **vector registers**
- The **multiplication** and **addition** units were implemented as separate hardware, so the results of one could be **internally pipelined into the next**
- The use of a very **fast scalar processor** (operating at the unprecedented rate of 80 MHz) tightly **integrated with the vector operations** utilizing a large semiconductor memory

# Cray-1

- Cray-1 was the first Cray design to use **integrated circuits** (ICs)
  - ICs were mounted on large five-layer printed circuit boards, with up to 144 ICs per board
  - Boards were mounted back to back for **cooling** and placed in **24 racks** (of size 28-inch-high - 71 cm) containing 72 double-boards
  - The typical module (distinct processing unit) required one or two boards
- In all, the machine contained 1662 modules in 113 varieties



# Cray-1

- The high-performance circuitry generated considerable heat → much effort on the design of the **refrigeration system**
- Each circuit board was paired with a second, placed back to back with a sheet of copper between them → liquid **Freon** running in stainless steel pipes was used for the cooling unit below the machine
- In order to bring **maximum speed** out of the machine, the entire chassis was bent into a large **C-shape**
- Speed-dependent portions of the system were placed on the *inside edge* of the chassis, where the **wire-lengths were shorter**

# Cray 1

Over the next twenty years Cray Research led the supercomputing market by:

- increasing the bandwidth for vector memory transfers
- increasing the number of processors, the number of vector pipelines, and the length of the vector registers

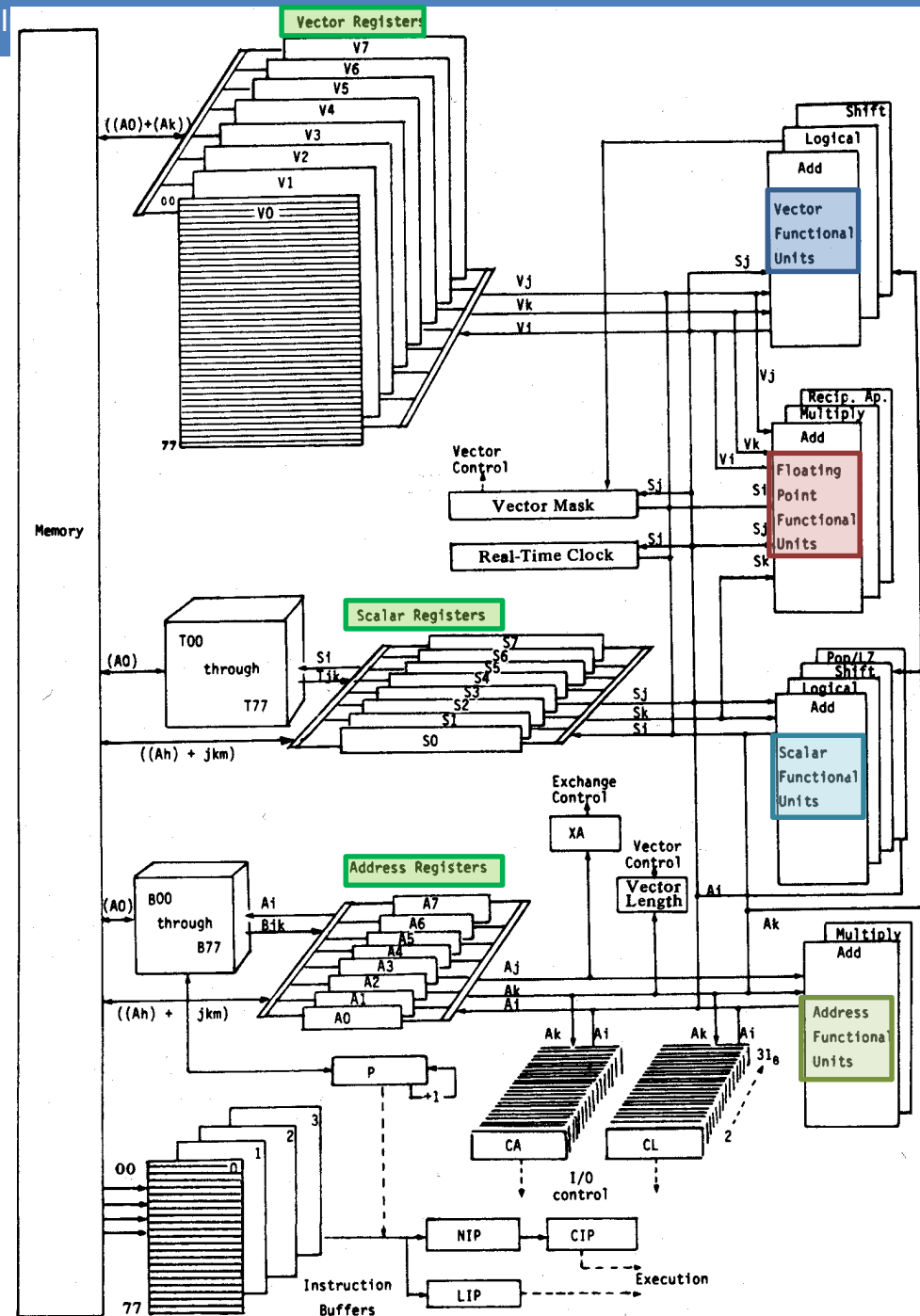


# Cray 1

## Cray-1 features

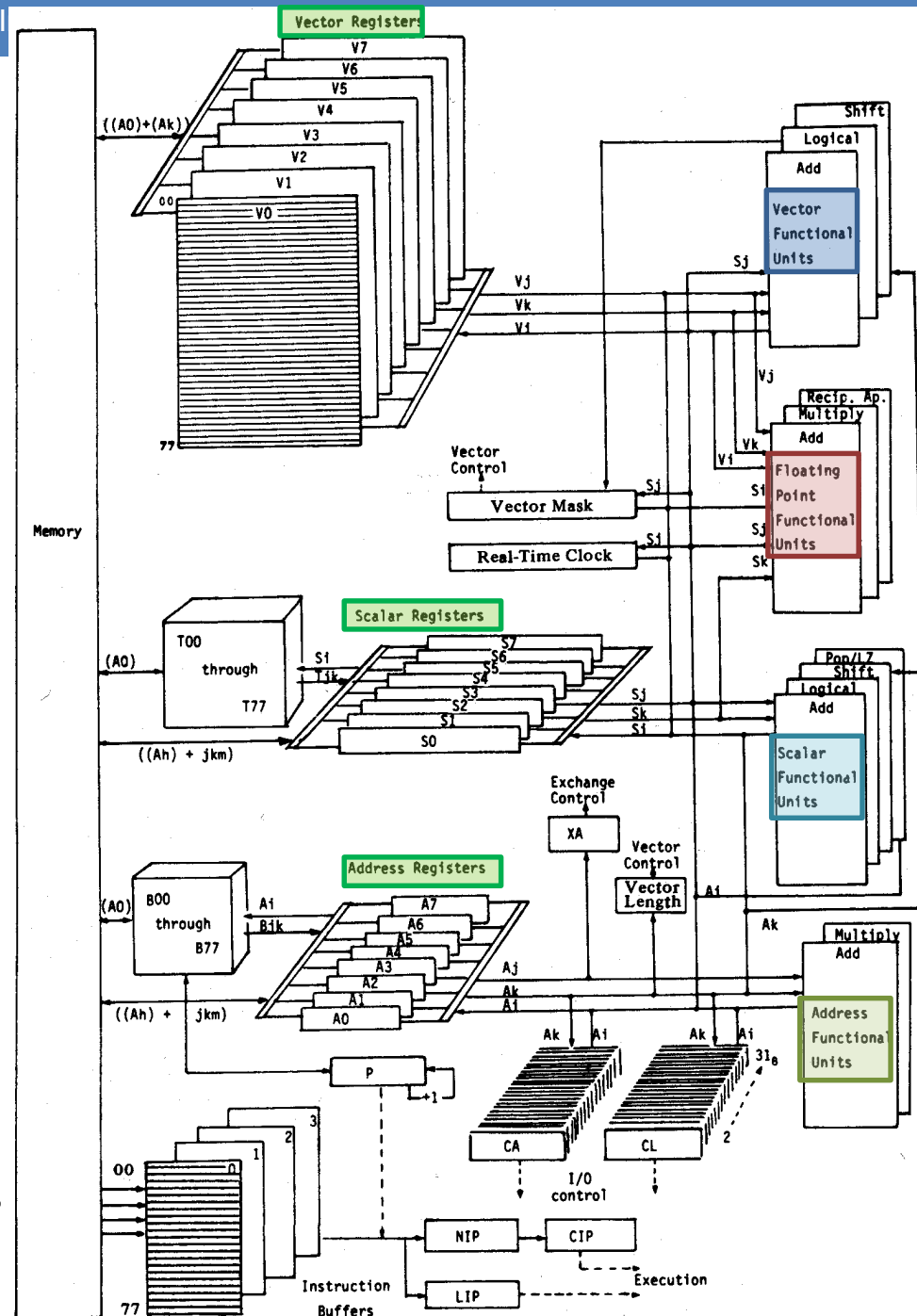
- 64-bit system
- Addressing was 24-bit, with a maximum of 1,048,576 64-bit words (1 megaword) of main memory
- Each word also had 8 parity bits for a total of 72 bits per word (64 data bits and 8 check bits)

The Cray-1 had **12** pipelined functional units



# Cray 1

- Memory was spread across 16 **interleaved memory banks**, each with a 50 ns cycle time, allowing up to four words to be read per cycle
- The main **register set** consisted of:
  - 8 64-bit scalar (S) registers
  - 8 24-bit address (A) registers
  - 8 64-element by 64-bit **vector registers (V)**
  - A vector length (VL) register
  - A vector mask (VM) register
  - A 64-bit real-time clock register
  - 4 64-bit instruction buffers that held sixty-four 16-bit instructions



# VECTOR ARCHITECTURES

---

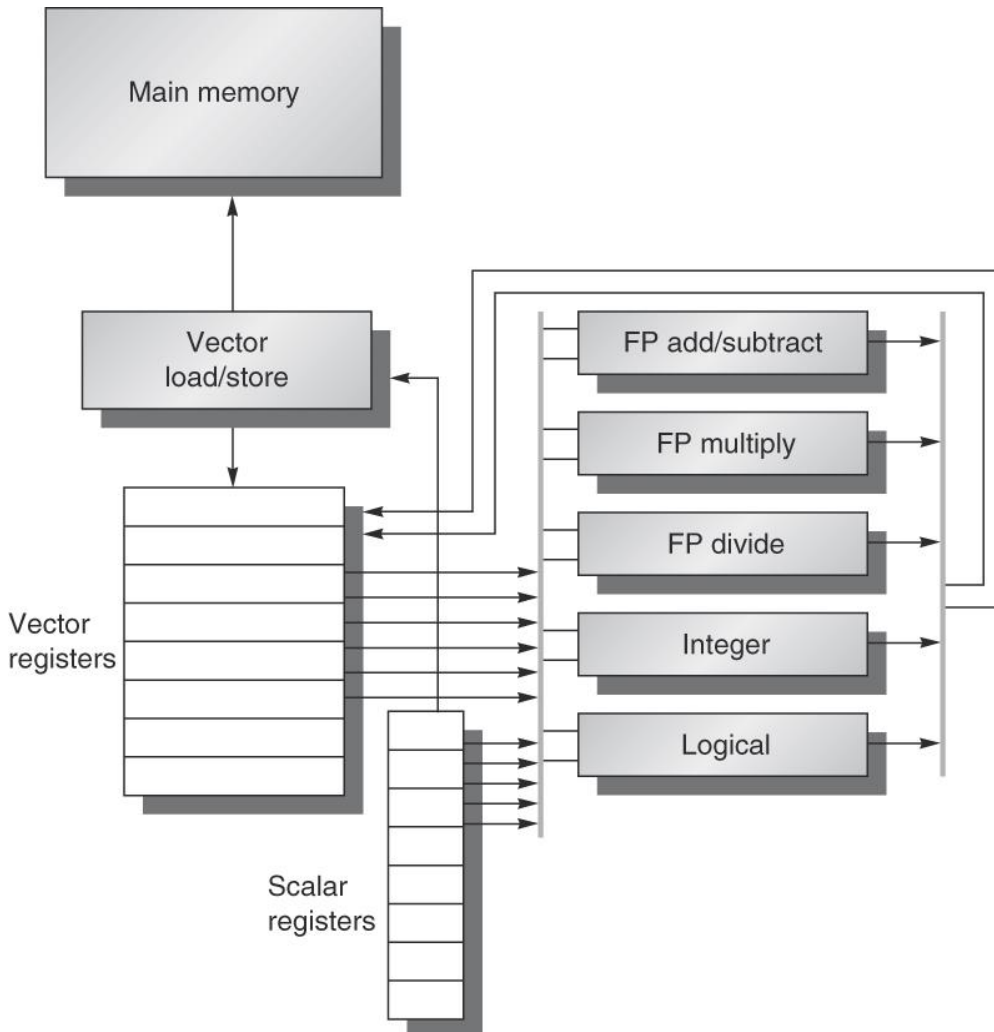
# Vector Architectures

- Basic idea:
  - Read sets of data elements scattered about memory
  - Place them into **vector registers**
  - Operate on those registers
  - Disperse the results back into memory
- **Registers** are controlled by compiler
  - Used to hide memory latency
  - Leverage memory bandwidth
- Since vector loads and stores are deeply pipelined, the program pays the long memory latency only once per vector load or store versus once per element, thus amortizing the latency

# VMIPS

- Example architecture: VMIPS
  - Loosely based on Cray-1
  - **Vector registers**
    - Each register holds a 64-element, 64 bits/element vector
    - Register file has 16 read ports and 8 write ports
  - **Vector functional units**
    - Fully pipelined
    - Data and control hazards are detected
  - **Vector load-store unit**
    - Fully pipelined
    - One word per clock cycle after initial latency
  - **Scalar registers**
    - 32 general-purpose registers
    - 32 floating-point registers

# VMIPS



Basic structure of **VMIPS vector architecture** :

- scalar architecture just like MIPS
- **eight** 64-element vector
- all the functional units are **vector functional units**
- vector units for logical and integer operations
- the vector and scalar registers have a significant number of read and write ports to allow multiple simultaneous vector operations
- a set of crossbar switches (thick gray lines) connects these ports to the inputs and outputs of the vector functional units



# VMIPS Instructions

Instruction	Operands	Function
ADDVV.D	V1, V2, V3	Add elements of V2 and V3, then put each result in V1.
ADDVS.D	V1, V2, F0	Add F0 to each element of V2, then put each result in V1.
SUBVV.D	V1, V2, V3	Subtract elements of V3 from V2, then put each result in V1.
SUBVS.D	V1, V2, F0	Subtract F0 from elements of V2, then put each result in V1.
SUBSV.D	V1, F0, V2	Subtract elements of V2 from F0, then put each result in V1.
MULVV.D	V1, V2, V3	Multiply elements of V2 and V3, then put each result in V1.
MULVS.D	V1, V2, F0	Multiply each element of V2 by F0, then put each result in V1.
DIVVV.D	V1, V2, V3	Divide elements of V2 by V3, then put each result in V1.
DIVVS.D	V1, V2, F0	Divide elements of V2 by F0, then put each result in V1.
DIVSV.D	V1, F0, V2	Divide F0 by elements of V2, then put each result in V1.
LV	V1, R1	Load vector register V1 from memory starting at address R1.
SV	R1, V1	Store vector register V1 into memory starting at address R1.
LVWS	V1, (R1, R2)	Load V1 from address at R1 with stride in R2 (i.e., $R1 + i \times R2$ ).
SVWS	(R1, R2), V1	Store V1 to address at R1 with stride in R2 (i.e., $R1 + i \times R2$ ).
LVI	V1, (R1+V2)	Load V1 with vector whose elements are at $R1 + V2(i)$ (i.e., V2 is an index).
SVI	(R1+V2), V1	Store V1 to vector whose elements are at $R1 + V2(i)$ (i.e., V2 is an index).
CVI	V1, R1	Create an index vector by storing the values $0, 1 \times R1, 2 \times R1, \dots, 63 \times R1$ into V1.
S--VV.D	V1, V2	Compare the elements (EQ, NE, GT, LT, GE, LE) in V1 and V2. If condition is true, put a 1 in the corresponding bit vector; otherwise put 0. Put resulting bit vector in vector-mask register (VM). The instruction S--VS.D performs the same compare but using a scalar value as one operand.
S--VS.D	V1, F0	
POP	R1, VM	Count the 1s in vector-mask register VM and store count in R1.
CVM		Set the vector-mask register to all 1s.
MTC1	VLR, R1	Move contents of R1 to vector-length register VL.
MFC1	R1, VLR	Move the contents of vector-length register VL to R1.
MVTM	VM, F0	Move contents of F0 to vector-mask register VM.
MVFM	F0, VM	Move contents of vector-mask register VM to F0.

# DAXPY in MIPS Instructions

**Example:** DAXPY (double precision  $a * X + Y$ )

- Requires almost **600 MIPS** instructions

```

        L.D          F0, a           ; load scalar a
        DADDIU       R4, Rx, #512    ; last address to load
Loop:   L.D          F2, 0(Rx)       ; load X[i]
        MUL.D        F2, F2, F0      ; a x X[i]
        L.D          F4, 0(Ry)       ; load Y[i]
        ADD.D        F4, F2, F2      ; a x X[i] + Y[i]
        S.D          F4, 9(Ry)       ; store into Y[i]
        DADDIU       Rx, Rx, #8      ; increment index to X
        DADDIU       Ry, Ry, #8      ; increment index to Y
        SUBBU        R20, R4, Rx     ; compute bound
        BNEZ         R20, Loop       ; check if done

```

# DAXPY in VMIPS Instructions

**Example:** DAXPY (double precision  $a * X + Y$ )

- Requires **6 VMIPS** instructions
  - ADDVV.D: add two vectors
  - ADDVS.D: add vector to a scalar
  - LV/SV: vector load and vector store from address

```
L.D      F0 , a      ; load scalar a
LV       V1 , Rx     ; load vector X
MULVS.D  V2 , V1 , F0 ; vector-scalar multiply
LV       V3 , Ry     ; load vector Y
ADDVV.D  V4 , V2 , V3 ; add
SV       V4 , Ry     ; store the result
```

# Vector Execution Time

- **Execution time** depends on three factors:
  - Length of operand vectors
  - Structural hazards
  - Data dependences
- We can compute *the time for a single vector instruction* given
  - The vector length
  - The *initiation rate*, rate at which a vector unit consumes new operands and produces new results
- Assuming initiation rate of one element per clock cycle for individual operations we obtain that *the execution time is approximately the vector length*

# Vector Execution Time - Convoy

- To discuss vector execution and vector performance, we use the notion of *convoy*
  - Set of vector instructions that could potentially execute together
- We can estimate *performance* of a section of code by counting the *number of convoys*
  - the instructions in a convoy *must not contain any structural hazards*
  - if such hazards were present, the instructions would need to be serialized and initiated in different convoys
  - to simplify, we assume that a convoy of instructions must complete execution before any other instructions (scalar or vector) can begin execution

# Vector Execution Time - Chaining

- Sequences with read-after-write dependency hazards can be in the same convoy via **chaining**
- **Chaining**
  - Allows a **vector operation** to start **as soon as** the individual elements of its vector **source operand become available**
  - The results from the first functional unit *in the chain* are **forwarded** to the second functional unit
  - Early implementations of chaining worked just like forwarding in scalar pipelining
  - Recent implementations use **flexible chaining**, which allows a vector instruction to chain to any other active vector instruction, assuming we don't generate a structural hazard

# Vector Execution Time - Chimes

- To turn convoys into execution time we need a timing metric to estimate the time for a convoy: **chime** that is the ***unit of time to execute one convoy***
  - A vector sequence that consists of  $m$  convoys executes in  $m$  chimes
  - For vector length of  $n$ , requires approximately  $m \times n$  clock cycles
  - The chime approximation ignores some processor-specific overheads, many of which are dependent on vector length
  - Measuring time in chimes is a better approximation for long vectors than for short ones
  - source of overhead ignored by the chime model is vector *start-up time* (principally due to pipelining latency)

# Vector Execution Time - Chime

- The most important source of overhead ignored by the chime model is vector *start-up time*
- *Start-up time* is determined by the pipelining latency of vector functional unit
  - For VMIPS we assume the same pipeline depths as Cray-1
    - Floating-point add => 6 clock cycles
    - Floating-point multiply => 7 clock cycles
    - Floating-point divide => 20 clock cycles
    - Vector load => 12 clock cycles



# Optimizations

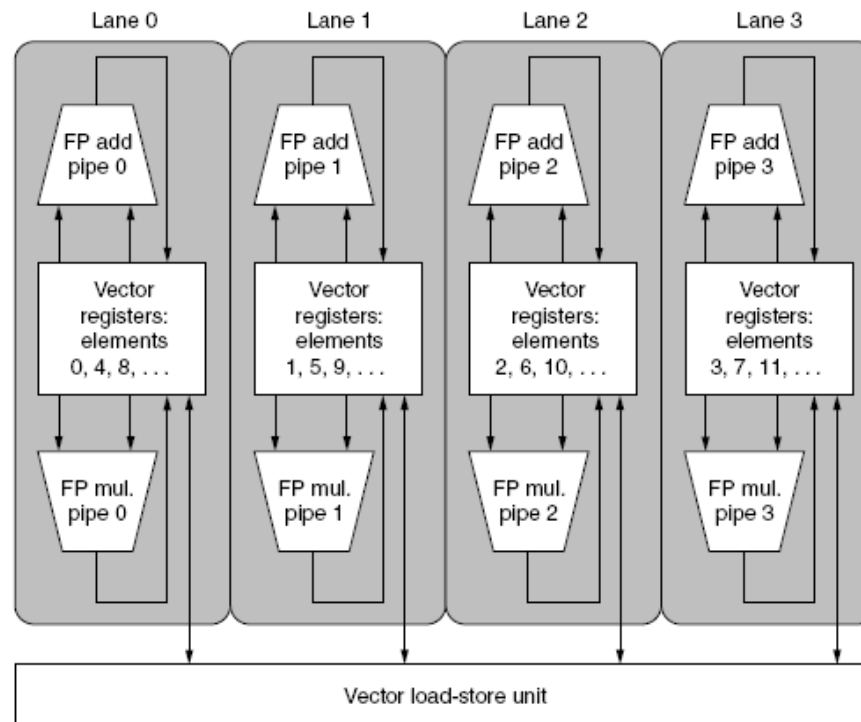
- Given these vector basics, there are several optimizations that improve the performance on vector architectures
  - *Multiple Lanes*:  $> 1$  element per clock cycle
  - *Vector Length Registers*: Non-64 wide vectors
  - *Vector Mask Registers*: IF statements in vector code
  - *Memory Banks*: Memory system optimizations to support vector processors
  - *Stride*: Multiple dimensional matrices
  - *Scatter-Gather*: Sparse matrices
  - *Programming Vector Architectures*: Program structures affecting performance

# Multiple Lanes

- The advantage of a vector instruction set is that it allows software to **pass a large amount of parallel work** to hardware **using only a single short instruction**
- The parallel semantics of a vector instruction allow an implementation to execute these elemental operations using:
  - a **deeply pipelined functional unit**
  - an **array of parallel functional units**
  - a **combination** of parallel and pipelined functional units

# Multiple Lanes

- In the VMIPS instruction set, all vector arithmetic instructions only allow element  $N$  of one vector register to take part in operations with element  $N$  from other vector registers
- A parallel vector unit can be build by **multiple parallel lanes**



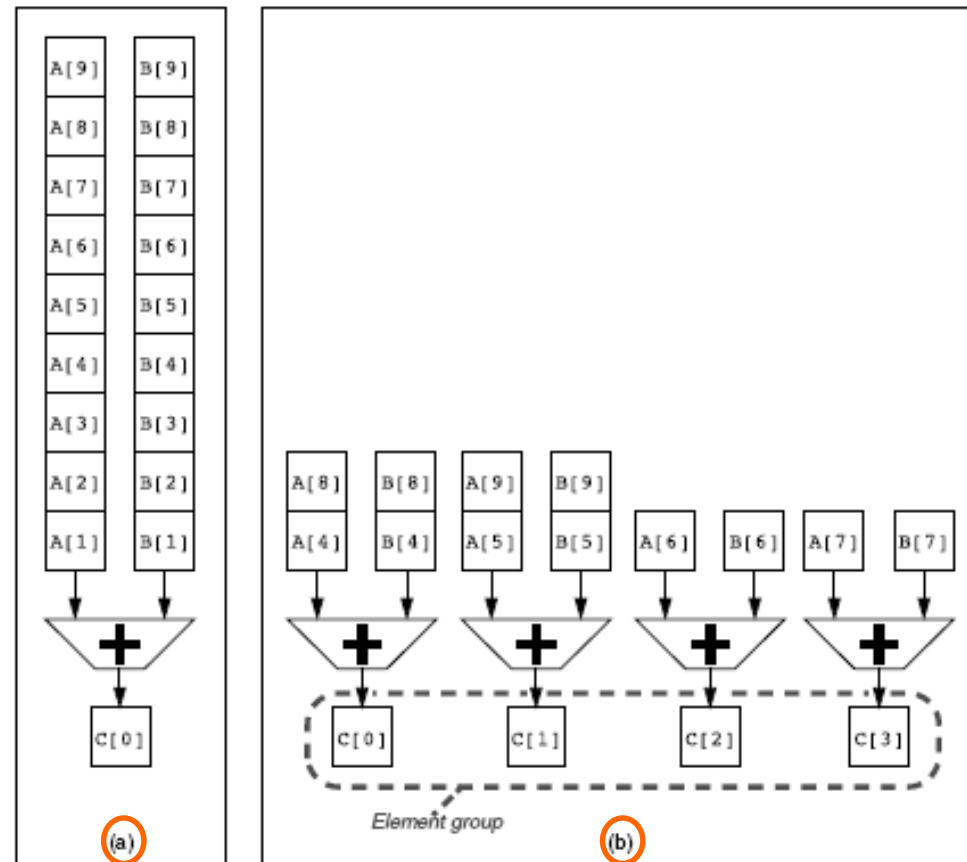
# Multiple Lanes

- Figure illustrates how to improve vector performance by using **parallel pipelines** to execute a **vector add instruction**

Using multiple functional units improves the performance of a single vector add instruction  $C = A + B$

The vector processor (a) has a **single add pipeline** and can complete **one addition per cycle**.

**Right** The vector processor (b) has **four add pipelines** and can complete **four additions per cycle**. The elements within a single vector add instruction are interleaved across the four pipelines. The set of elements moving through the pipelines together is an *element group*



# Vector Length Registers Handling Loops Not Equal to 64

- Real vector length  $n$  in a program is unlikely to match VMIPS vector length, which is 64
- Vector length is not known at compile time
- The solution is to create a **vector-length register (VLR)**:
  - controls the length of any vector operation, including a vector load or store
  - **but** the value in the VLR cannot be greater than the length of the vector registers
- Then also the **maximum vector length (MVL)** is used:
  - *determines the number of data elements in a vector of an architecture*

# Vector Length Registers Handling Loops Not Equal to 64

- If the value of  $n$  is greater than the MVL, a technique called *strip mining* is used:
  - Generation of code such that each vector operation is done for a size less than or equal to the MVL:
    - one loop that handles any number of iterations that is a multiple of the MVL
    - another loop that handles any remaining iterations and must be less than the MVL
- In practice, compilers usually create a single strip-mined loop that is parameterized to handle both portions by changing the length

# Vector Length Registers Handling Loops Not Equal to 64

- For example, consider the code for DAXPY:

```
for (i=0; i <n; i=i+1)
  Y[i] = a * X[i] + Y[i];
```

- The **strip-mined version** of the DAXPY loop in C:

```
low = 0;
VL = (n % MVL);          /*find odd-size piece using modulo op % */
for (j = 0; j <= (n/MVL); j=j+1) { /*outer loop*/
  for (i = low; i < (low+VL); i=i+1) /*runs for length VL*/
    Y[i] = a * X[i] + Y[i] ;        /*main operation*/
  low = low + VL;                  /*start of next vector*/
  VL = MVL;                        /*reset the length to maximum vector length*/
}
```

- The length of the first segment is  $(n \% MVL)$ , and all subsequent segments are of length  $MVL$

# Vector Mask Registers IF Statements in Vector Loops

- The presence of conditionals (**IF statements**) inside loops introduce **control dependences** into the loop

- Consider:

```
for (i = 0; i < 64; i=i+1)
    if (X[i] != 0)
        X[i] = X[i] - Y[i];
```

- This loop **cannot** normally **be vectorized** because of the conditional execution of the body
- If the inner loop could be run for the **iterations for which  $X[i] \neq 0$** , then the subtraction could be vectorized



# Vector Mask Registers IF Statements in Vector Loops

- The solution is **vector-mask control**
- **Mask registers** provide conditional execution of vector instruction
- When the **vector-mask register is enabled**, any vector instructions operate only on the vector elements whose corresponding entries in the vector-mask register are 1
- Use vector mask register to “disable” elements (*if conversion*):

```

LV          V1,Rx          ;load vector X into V1
LV          V2,Ry          ;load vector Y
L.D        F0,#0          ;load FP zero into F0
SNEVS.D    V1,F0          ;sets VM(i) to 1 if V1(i)!=F0
SUBVV.D    V1,V1,V2       ;subtract under vector mask
SV         Rx,V1          ;store the result in X

```

- GFLOPS rate decreases

# Memory Banks

## Bandwidth for Vector Load/Store Units

- **Memory systems** must be designed to support **high bandwidth** for vector loads and stores
- **Spreading accesses** across multiple independent **memory banks** usually delivers the desired rate
  - Control bank addresses independently
  - Load or store non sequential words
  - Support multiple vector processors sharing the same memory

# Stride *Handling Multidimensional Arrays in Vector Architectures*

- The position in memory of adjacent elements in a vector may not be sequential
- Consider this code for matrix multiply in C :

```
for (i = 0; i < 100; i=i+1)
    for (j = 0; j < 100; j=j+1) {
        A[i][j] = 0.0;
        for (k = 0; k < 100; k=k+1)
            A[i][j] = A[i][j] + B[i][k] * D[k][j];
    }
```

- Must vectorize multiplication of **rows of B** with columns of D
- An array in memory is linearized in either row-major (as in C) or column-major (as in Fortran) order, then either the elements in the row or in the column **are not adjacent in memory**

# Stride *Handling Multidimensional Arrays in Vector Architectures*

- For vector processors, the technique to fetch elements of a vector that are not adjacent in memory exploits the **stride** that is **the distance separating elements to be gathered into a single register**
  - In our example, matrix D has a stride of 100 double words (800 bytes), and matrix B has a stride of 1 double word (8 bytes). For column-major order, the strides would be reversed
- A vector processor can handle strides greater than one, called **non-unit strides**, *using only vector load and vector store operations with stride capability*
- This ability to access nonsequential memory locations and to reshape them into a dense structure is one of the major advantages of a vector processor

# Stride *Handling Multidimensional Arrays in Vector Architectures*

## Example

- 8 memory banks with a bank busy time of 6 cycles and a total memory latency of 12 cycles
- How long will it take to complete a 64-element vector load with a stride of 1? With a stride of 32?
- **Answer**
  - Stride of 1: number of banks is greater than the bank busy time, so it takes  $12+64 = 76$  clock cycles  $\rightarrow$  1.2 cycle per element
  - Stride of 32: the worst case is when the stride value is a multiple of the number of banks, as in this case. Every access to memory will collide with the previous one. Thus, the total time will be:  
 $12 + 1 + 6 * 63 = 391$  clock cycles, or 6.1 clock cycles per element

# Scatter-Gather Handling Sparse Matrices

- It is important to have techniques to allow programs with **sparse matrices** to execute in vector mode
- In a sparse matrix, the elements of a vector are usually stored in some compacted form and then accessed indirectly
- Consider sparse vectors A and C, and index vectors K and M, where A and C have the same number (n) of non-zeros:

```
for (i = 0; i < n; i=i+1)
    A[K[i]] = A[K[i]] + C[M[i]];
```

- The primary mechanism for supporting sparse matrices is **gather-scatter operations** using index vectors
- Such operations support moving between a compressed representation and normal representation of a sparse matrix

# Scatter-Gather Handling Sparse Matrices

- A **gather operation** takes *an index vector* and fetches the vector whose elements are at the addresses given by adding a base address to the offsets given in the index vector. The result is a **dense vector in a vector register**
- After these elements are operated on in dense form, the sparse vector can be stored in expanded form by a **scatter store**, using the same index vector
- This technique allows code with sparse matrices to run in vector mode
- **Hardware support** for such operations is called **gather-scatter**
- The VMIPS instructions are LVI (load vector indexed or gather) and SVI (store vector indexed or scatter)

# Scatter-Gather Handling Sparse Matrices

- **Example:**

```
for (i = 0; i < n; i=i+1)
    A[K[i]] = A[K[i]] + C[M[i]];
```

- The VMIPS instructions are LVI (load vector indexed or gather) and SVI (store vector indexed or scatter)
- ***Inner loop*** - Ra, Rc, Rk and Rm the starting addresses of vectors

LV	Vk, Rk	;load K
LVI	Va, (Ra+Vk)	;load A[K[]]
LV	Vm, Rm	;load M
LVI	Vc, (Rc+Vm)	;load C[M[]]
ADDVV.D	Va, Va, Vc	;add them
SVI	(Ra+Vk), Va	;store A[K[]]



# Programming Vector Architectures

- Compilers can provide feedback to programmers
- Programmers can provide hints to compiler

Benchmark name	Operations executed in vector mode, compiler-optimized	Operations executed in vector mode, with programmer aid	Speedup from hint optimization
BDNA	96.1%	97.2%	1.52
MG3D	95.1%	94.5%	1.00
FLO52	91.5%	88.7%	N/A
ARC3D	91.1%	92.0%	1.01
SPEC77	90.3%	90.4%	1.07
MDG	87.7%	94.2%	1.49
TRFD	69.8%	73.7%	1.67
DYFESM	68.8%	65.6%	N/A
ADM	42.9%	59.6%	3.60
OCEAN	42.8%	91.2%	3.92
TRACK	14.4%	54.6%	2.52
SPICE	11.5%	79.9%	4.06
QCD	4.2%	75.1%	2.15

Level of vectorization among the Perfect Club benchmarks executed on the Cray Y-MP [Vajapeyam 1991]

The first column shows the vectorization level obtained with the compiler without hints

The second column shows the results after the codes have been improved with hints from a team of Cray Research programmers